

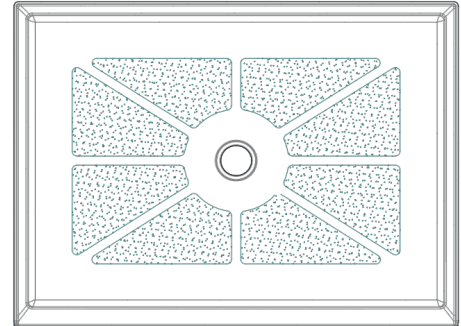
### 48" x 36" Low Standard Threshold

Left Drain

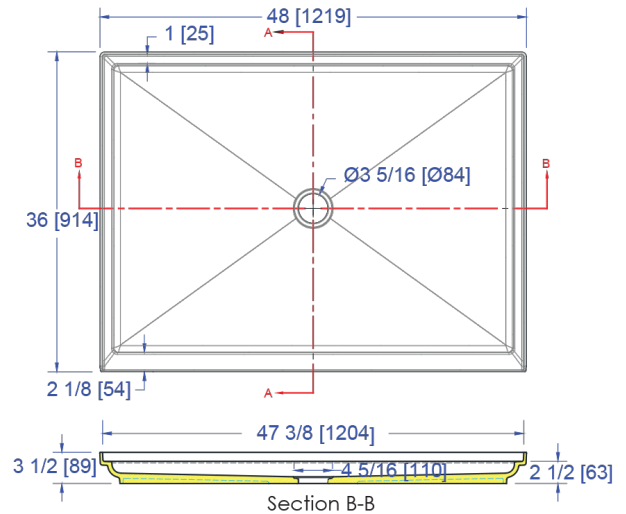
OD: 48" x 36" (1219 mm x 914 mm)  
 Threshold Height: 2 1/2" (64 mm)  
 Rough Opening: 48 1/4" x 36 1/4" (1225 mm x 921 mm)  
 Shower Pan Weight: 108 lbs. ( 50kg.)

The Gemstone 4836LST 2 1/2" threshold allows for a low clearance threshold while allowing excellent drainage. The option to add an optional factory applied patented membrane system to the shower pan is perfect for eliminating the risk of leakage at the most vulnerable point between the threshold of the shower pan and the flooring that adjoins, allowing the pan to be tied into a tile or flooring system. The texture meets and exceeds the F462 COF testing while being very easy to clean and the 1" water dams allow any wall system to be securely added. The grid system on the bottom of the pan has designed locations where elastomeric adhesion can be used to secure the pan to the substrate which is an advantage over other brands.

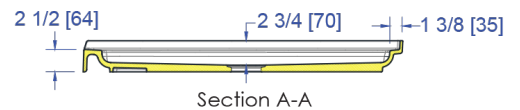
Gemstone shower pans carry a 10 year factory warranty when installed in accordance to the Gemstone installation instructions.



Texture Pattern

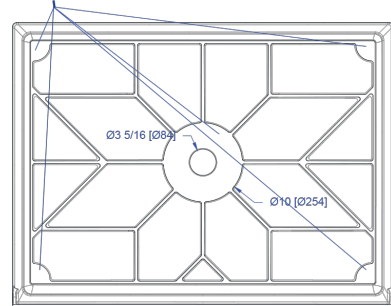


Section B-B



Section A-A

Adhesive Locators  
 On Corners &  
 Center Locations

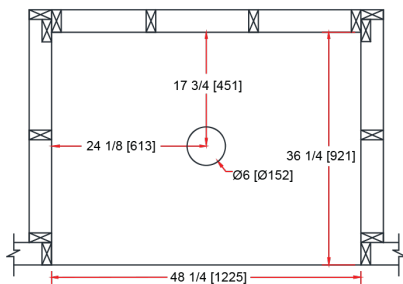


Bottom Rib Layout

### Drain Layout

Center of Drain is 17 3/4 (451mm) from back wall by 24 1/8" (613mm) from left or right stud wall.  
 A 6" core is recommended for drain clearance\*

\*Check all building and fire codes prior to installation



Certified by:  
**Home Innovation Lab**  
 (NAHB):ANSI Z124.2



Gemstone Shower Pans are proudly made in the USA