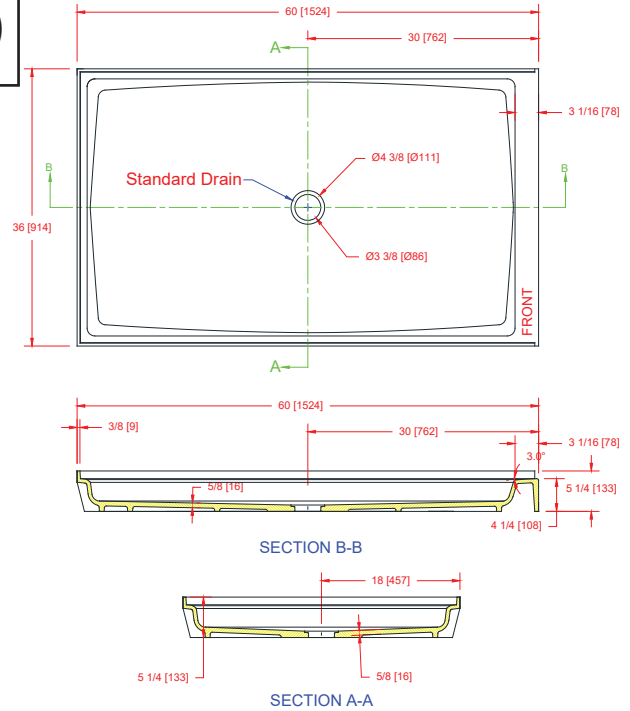


### 60" x 36" Standard Threshold Pan

OD: 60" x 36" (1524 mm x 914 mm)  
 Threshold Height: 4 1/4" (108 mm)  
 Rough Opening: 60 1/4" x 36 1/4" (1530 mm x 819mm)  
 Shower Pan Weight: 137lbs. (62.2kg)

The Gemstone 6036ECS is a standard threshold shower pan with a center drain. The option to add an optional factory applied patented membrane system to the shower pan is perfect for eliminating the risk of leakage at the most vulnerable point between the threshold of the shower pan and the flooring that adjoins, allowing the pan to be tied into a tile or flooring system. Gemstone shower pans meet and exceed the F462 COF testing while being very easy to clean and the 1" water dams allow any wall system to be securely added. The grid system on the bottom of the pan is built in for maximum structure and integrity. The 6036ECS is perfect for commercial applications for maximum durability

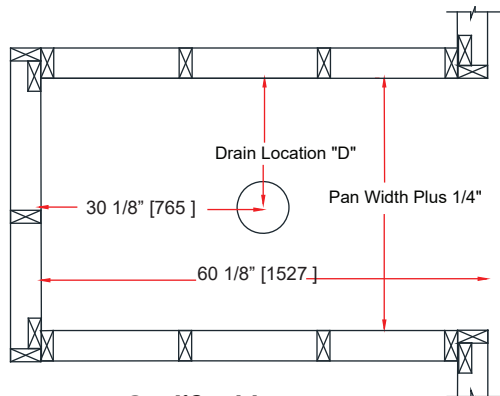
Gemstone shower pans carry a 10 year factory warranty when installed in accordance to the Gemstone installation instructions



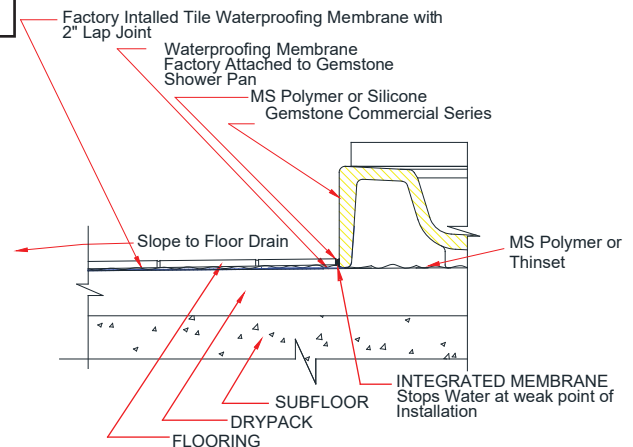
### Drain Layout

Center of Drain is 18 1/2" [470mm] from back stud wall by 31 3/8" [797mm] from Left stud wall.  
 A 6" core is recommended for drain clearance\*

\*Check all building and fire codes prior to installation



### Optional Tile Integration System



Certified by:  
**Home Innovation Lab**  
 (NAHB):ANSI Z124.2



Gemstone Shower Pans are proudly made in the USA